



VCT-01 Commercial Dry Vacuum Cleaner

User Guide



**CAUTION: READ THE INSTRUCTION MANUAL BEFORE USING THE MACHINE
HELPING YOU GET THE MOST OUT OF THE VCT-01 VACUUM CLEANER.**

NEED FURTHER ASSISTANCE?

CALL 0330 026 4275 (UK ONLY) OR VISIT VAXCOMMERCIAL.CO.UK

VCT-01

GENERAL SAFETY INFORMATION



PLEASE KEEP THESE ORIGINAL INSTRUCTIONS FOR FUTURE REFERENCE

WARNING: ALWAYS READ THE USER GUIDE THOROUGHLY BEFORE USE.

WARNING: ALWAYS SWITCH OFF AND UNPLUG THE MACHINE FROM THE MAINS BEFORE FILLING, EMPTYING, CHANGING TOOLS, CLEANING OR CONDUCTING MAINTENANCE OR TROUBLESHOOTING CHECKS.

When using the vacuum cleaner, basic safety precautions should always be observed, including the following:

1. This machine is for commercial use only. Ensure full compliance with all the instructions in this user guide, paying particular attention to warnings and danger notices. The manufacturer will not be held responsible for injuries to persons or damage to property caused by non-compliance with instructions.
2. Ensure that the unit is disconnected from the mains supply prior to assembling/ disassembling any part of the machine.
3. Do not pull, lift or carry by the cable. Do not close a door on the cable or pull the cable around sharp edges or corners. Keep the cable away from heated surfaces.
4. This appliance should be used and/or stored in dry environments only.
5. This machine is not intended for use by persons (including children) with reduced physical, sensory or mental capabilities, or lack of experience and knowledge. Children should be supervised to ensure that they do not play with the appliance.
6. Only use as described in this manual. Only use the manufacturer's recommended attachments.
7. Do not run over the power cable or use vacuum cleaner if the power cable or plug is damaged. Regularly examine the cable for damage, such as cracking or ageing. If damage is found replace the cable with a genuine Vax Commercial part before further use. To contact the Vax Commercial Careline, please call (UK) 0330 026 4275 (Mon-Fri 8.00am-6.30pm, Sat and Sun 9.00am-5.00pm).
8. Do not use the vacuum cleaner if it has been dropped, damaged, left outdoors, or dropped into water. Do not handle the plug or vacuum cleaner with wet hands.
9. Ensure airways remain clear of blockages during use for best performance.
10. Keep hair, loose clothing, fingers and all parts of the body away from openings and moving parts.
11. Do not pick up hot, smoking, burning, flammable, hazardous or combustible materials or use in the presence of explosive liquids or vapours.
12. Do not vacuum harmful or toxic material (chlorine, bleach, ammonia, drain cleaner, etc.).
13. Do not vacuum hard or sharp objects such as glass, nails, screws, coins, etc.

14. Do not use without the filters or bag in place.
15. This appliance is suitable for commercial use, for example in hotels, schools, care homes, factories, shops, offices and rental businesses.
16. This appliance is not suitable for picking up hazardous dust, including but not limited to, any material listed by ECD 79/831/EEC, any material to which exposure is limited by local government and any micro dust which may be dangerous to health.
17. This appliance is for dry use only and is not to be used or stored outdoors and/or in wet conditions.



CAUTION: BEFORE PLUGGING THE CABLE IN MAKE SURE THE MACHINE IS SWITCHED OFF. HOLD THE VACUUM CLEANER FIRMLY WHEN PLUGGING IN AND TURNING ON.



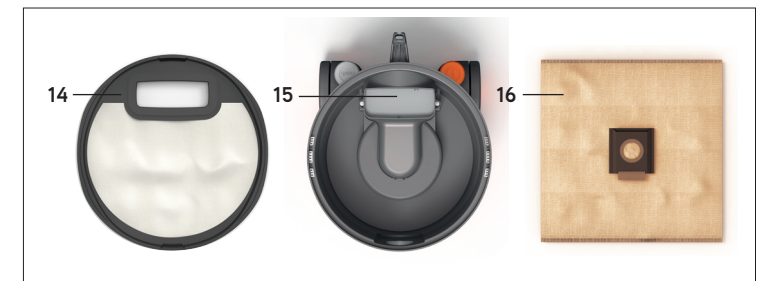
IMPORTANT: THE MOTOR IS EQUIPPED WITH A THERMAL CUT-OUT. IF FOR ANY REASON THE VACUUM CLEANER SHOULD OVER-HEAT, THE THERMOSTAT WILL AUTOMATICALLY TURN THE UNIT OFF. SHOULD THIS OCCUR, UNPLUG THE VACUUM CLEANER, CLEAN THE FILTERS AND ALLOW THE VACUUM CLEANER TO COOL FOR APPROXIMATELY ONE HOUR. TO RE-START, PLUG IN THE MACHINE AND SWITCH ON.

Page 2-3 General safety information
 Page 4 Contents
 Page 5 Machine overview
 Page 6-8 Preparation
 Page 6-7..... • Setting up the vacuum cleaner
 Page 7-8..... • Attaching and storing the cable
 Page 9 Operating the machine
 Page 9 • Using the combination floor tool
 Page 10-12 Maintenance tips
 Page 10..... • Emptying and replacing the dust bag
 Page 11 • Cleaning the cloth pre-motor filter: quick clean
 Page 11 • Cleaning the cloth pre-motor filter: deep clean
 Page 12..... • Cleaning the foam pre-motor filter
 Page 12..... • Cleaning the combination floor tool
 Page 12..... • Checking the castors and wheels
 Page 13-14 Troubleshooting
 Page 15..... Service and help

THIS SECTION GIVES AN OVERVIEW OF THE BOX CONTENTS AND MACHINE'S FEATURES.

VCT-01 VACUUM CLEANER

1. Extension tubes
2. Tool storage clip
3. Lid clips
4. Combination floor tool
5. Rear wheels
6. Tool parking slot
7. Rear cord hook
8. Power cable with kettle connection
9. Post motor exhaust
10. On/off switch
11. 360° rotating castor wheels
12. Hose
13. Carry handle
14. HEPA cloth pre-motor filter
15. Foam Pre-motor filter
16. Dust bag



IMPORTANT: THE ACCESSORIES ARE STORED INSIDE THE MACHINE AND NEED TO BE REMOVED BEFORE OPERATING THE VACUUM CLEANER.

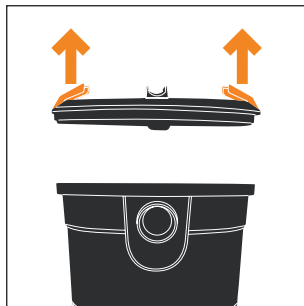
PREPARATION

SETTING UP THE MACHINE FOR USE CAN BE DONE IN A FEW SIMPLE STEPS. WE SHOW YOU HOW.

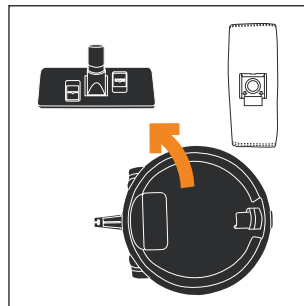
CAUTION: ALWAYS SWITCH OFF AND UNPLUG THE VACUUM CLEANER FROM THE ELECTRICAL SOCKET BEFORE CARRYING, OPENING, EMPTYING OR CONDUCTING MAINTENANCE OR TROUBLESHOOTING CHECKS ON THE MACHINE. ALWAYS SWITCH OFF AND UNPLUG THE VACUUM CLEANER FROM THE ELECTRICAL SOCKET WHEN CONNECTING/DISCONNECTING THE ATTACHMENTS.

PLEASE READ SAFETY INFORMATION BEFORE USE (PAGE 2)

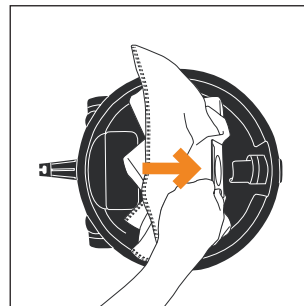
SETTING UP THE VACUUM CLEANER



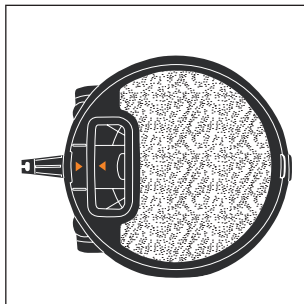
Unclip the locking clips and remove the lid.



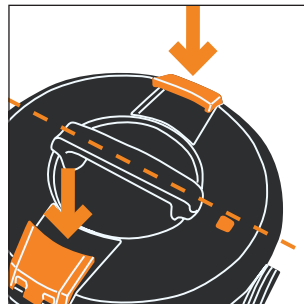
Remove the accessories and dust bag.



Slide the cardboard collar on the dust bag over the hose inlet. Gently pull to expand the dust bag inside the machine.

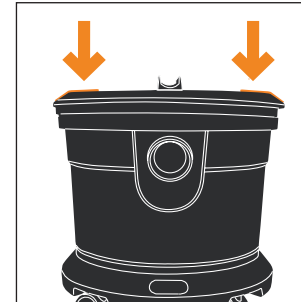


Make sure the filter is correctly fitted inside the lid with the arrows aligned.

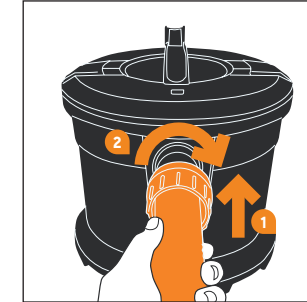


Replace the lid, lining up the handle with the rear parking slot and hose inlet. Make sure the bleed valve is positioned above the hose inlet and the arrows align.

PREPARATION

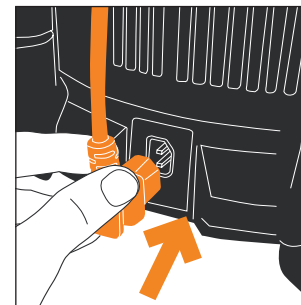


To lock the lid in place, make sure the clips are fully pressed down and locked.

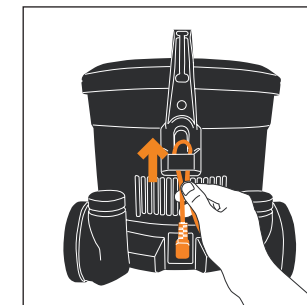


Align the hose with the hose inlet and turn the hose clockwise until secure.

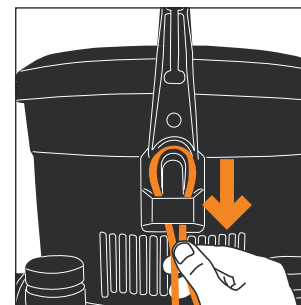
ATTACHING AND STORING THE CABLE



Insert the kettle lead.



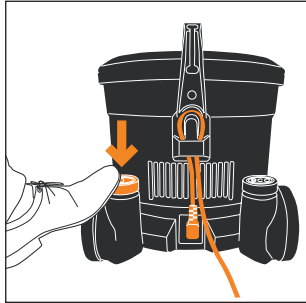
Form a loop in the cable, slide the loop up and over the retaining clip.



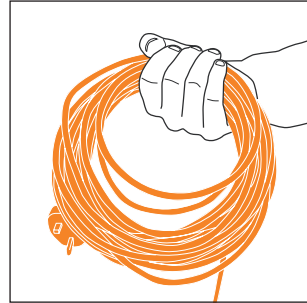
Pull down to secure.

PREPARATION

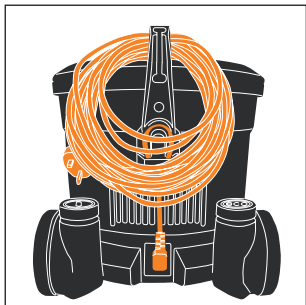
OPERATING THE MACHINE



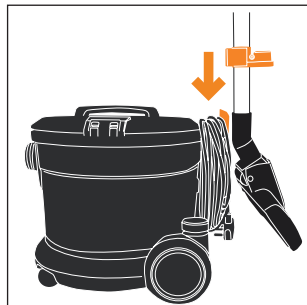
Press the power button once to turn on the machine.



After use, loop the power cable in hand.



Store on the rear hook.

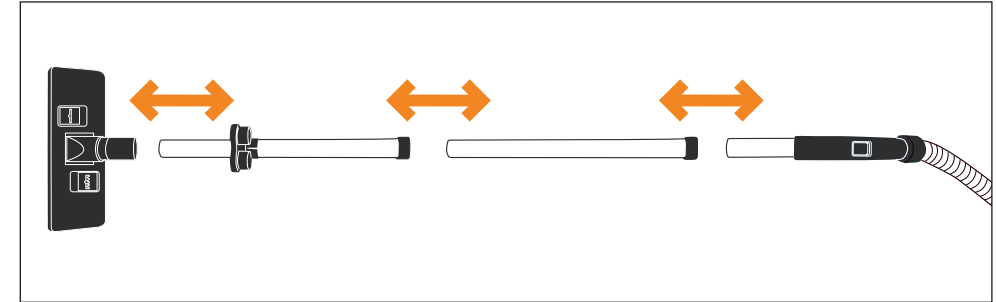


To store, hook the tool caddy into the parking slot.

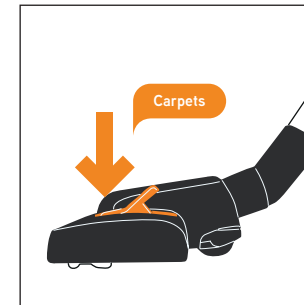
! **NOTE:** THE MACHINE WILL NOT FUNCTION PROPERLY UNLESS THE CABLE IS SECURED IN THE RETAINING CLIP.

! **CAUTION:** DO NOT LIFT OR PULL THE MACHINE BY THE POWER CABLE.

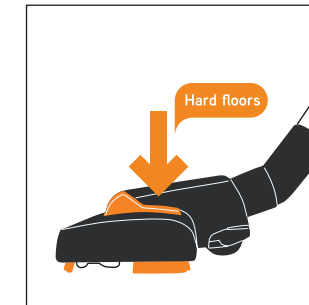
USING THE COMBINATION FLOOR TOOL



Push together the two metal extension tubes and attach the hose and floor head.



To clean carpets, push the switch forwards.



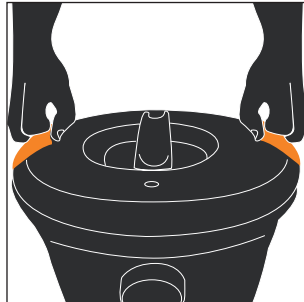
To clean hard floors, push the switch backwards. The brushes should be visible when using on hard floors.

MAINTENANCE TIPS

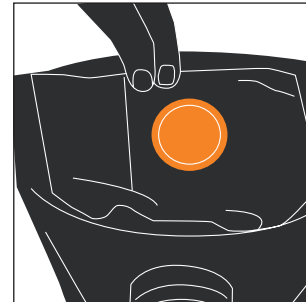
HOW TO PERFORM EASY MAINTENANCE TASKS FOR OPTIMUM MACHINE PERFORMANCE.

EMPTYING AND REPLACING THE DUST BAG

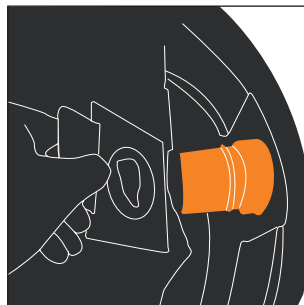
! WARNING: YOU WILL EXPERIENCE POOR SUCTION IF THE BAG IS NOT REPLACED WHEN FULL.



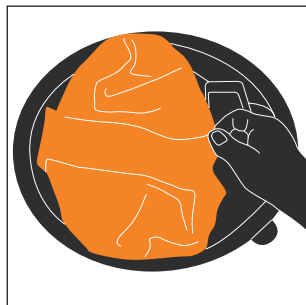
Unclip the locking clips and remove the lid.



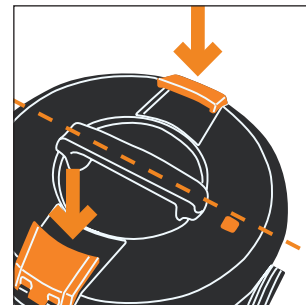
Slide the cardboard collar off the hose inlet. Remove and empty/ dispose of the dust bag. Paper bags are not reusable.



Refit the replacement bag by sliding the cardboard collar over the hose inlet rim to secure.



Gently pull to expand the bag inside the machine.



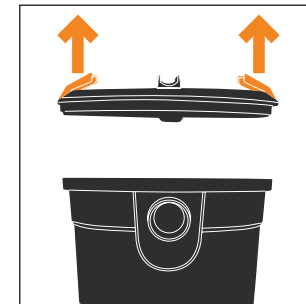
Replace the lid, lining up the handle with the rear parking slot and hose inlet. Make sure the bleed valve is positioned above the hose inlet and the arrows align.

MAINTENANCE TIPS

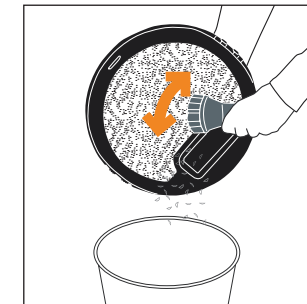
! CAUTION: ALWAYS SWITCH OFF AND UNPLUG THE VACUUM CLEANER FROM THE ELECTRICAL SOCKET BEFORE CARRYING, OPENING, EMPTYING OR CONDUCTING MAINTENANCE OR TROUBLESHOOTING CHECKS ON THE MACHINE. ALWAYS SWITCH OFF AND UNPLUG THE VACUUM CLEANER FROM THE ELECTRICAL SOCKET WHEN CONNECTING/ DISCONNECTING THE ATTACHMENTS. TO MAINTAIN OPTIMUM PERFORMANCE ENSURE FILTERS ARE CLEANED REGULARLY.

! WARNING: DO NOT USE THE MACHINE WITHOUT ALL FILTERS IN PLACE.

CLEANING THE CLOTH PRE-MOTOR FILTER: QUICK CLEAN



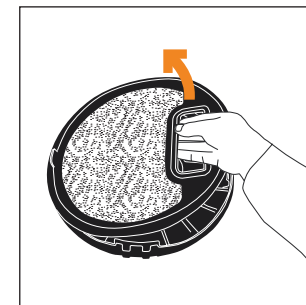
Unclip the locking clips and remove the lid.



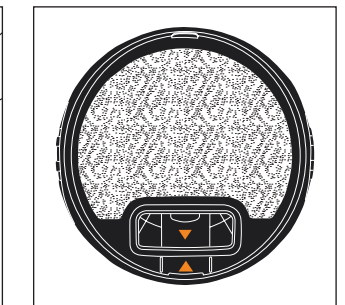
For a quick clean simply use a soft brush to remove debris from the pre-motor filter.

! CAUTION: DO NOT WASH THE FILTER AS THIS WILL DAMAGE THE MATERIAL.

CLEANING THE CLOTH PRE-MOTOR FILTER: DEEP CLEAN



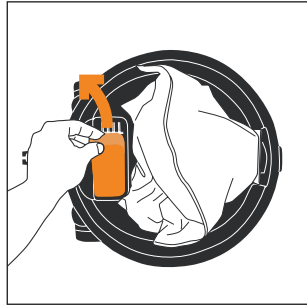
For a deeper clean remove the filter and use a soft brush to clean both sides.



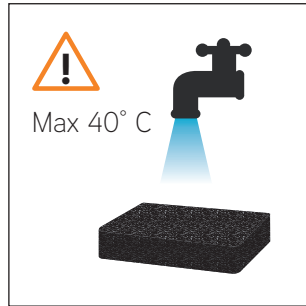
Make sure the filter is correctly re-fitted inside the lid with the arrows aligned.

WE EXPLAIN HOW TO RESOLVE SIMPLE ISSUES THAT YOU MAY EXPERIENCE WHEN USING THE VCT-01 VACUUM CLEANER.

CLEANING THE FOAM PRE-MOTOR FILTER



Remove the pre-motor filter.



Rinse under clean water, max 40°C.



Leave for 24hrs or until fully dry before re-fitting.

WARNING: AVOID DIRECT HEAT SOURCES TO PREVENT DAMAGING THE FILTER.

CLEANING THE COMBINATION FLOOR TOOL

To maintain optimum performance, regularly inspect and clean the combination floor tool. To do this, place the floor tool in hard floor mode and remove any hair or fibres from the bristles.

CHECKING CASTORS AND WHEELS

To help maintain the smooth movement of the machine, regularly check the front castors and rear wheels and remove any hair or fibres.

PROBLEM

POSSIBLE CAUSE

SOLUTION

There is an accessory missing

- Check the 'Machine overview' (page 5) to make sure the part is definitely included with the unit.
- If it is missing, we're here to help. Simply call us on 0330 026 4275.

The vacuum cleaner will not run

- It may not be plugged into the electrical outlet correctly.
- The motor thermostat may have tripped.
- The fuse may have blown.
- Ensure that the plug is pushed into the electrical outlet securely.
- Switch off and unplug the vacuum cleaner. Leave for one hour before switching the vacuum cleaner back on.
- Check the fuse in the plug. If it needs replacing, always replace with a 13amp fuse.

The vacuum cleaner will not pick up

- Dust bag maybe full, damaged or incorrectly fitted.
- The filter may be clogged.
- The filter may not be fitted correctly.
- There may be a blockage in the tube or hose.
- Remove the dust bag from the unit and if not full, re-attach as shown on page 10.
- Refer to 'Maintenance tips' on page 11-12.
- Refer to 'Maintenance tips' on page 11-12.
- Disconnect the hose from the vacuum cleaner, carefully remove any blockages found and reconnect securely.

PROBLEM

The accessories will not pick up properly

POSSIBLE CAUSE

- Accessories may not be attached securely.
- Accessory may be blocked.

SOLUTION

- Ensure tools are fitted correctly as shown on page 9.
- Remove accessory from handle/tube, carefully remove blockage and re-attach to the vacuum cleaner.

Dust is escaping from the vacuum

- The filter may be clogged.
- The dust bag may be full.
- The dust bag may be incorrectly installed.
- The hose may not be installed correctly.

- Refer to 'Maintenance tips' on page 11-12.
- Remove the bag and if full, fit a new bag as shown on page 10.
- Remove the dust bag from the unit and if not full, re-attach as shown on page 10.
- Remove and refit as shown on page 7.

If you cannot find a solution after carefully following these easy troubleshooting checks, our team of customer care advisors are on hand to help. Please call **0330 026 4275** or visit vaxcommercial.co.uk for more assistance.



CAUTION: TO REDUCE THE RISK OF PERSONAL INJURY, UNPLUG THE VACUUM CLEANER BEFORE PERFORMING MAINTENANCE/TROUBLESHOOTING CHECKS.

VAX COMMERCIAL CARELINE:

0330 026 4275 (UK ONLY)

Monday – Friday 08:00 – 18:30

Saturday and Sunday – 09:00 – 17:00

Any queries or concerns about using the vacuum cleaner, please contact the Vax Commercial Careline. Calls are charged at the UK local rate. Please make a note of the model and serial numbers before calling.

For the nearest service agent, please call the Vax Commercial Careline or visit vaxcommercial.co.uk.

TECHNICAL SPECIFICATION

VCT-01 COMMERCIAL DRY VACUUM CLEANER

Voltage:	220 – 240V
Vacuum motor wattage:	1200W
Capacity:	9.0L
Filters:	Cloth pre-motor filter, foam pre-motor filter, foam post-motor filter
Cable length:	10m
Weight:	5.2kg
Airborne noise emission:	LpA: 72.3dB(A) LWA: 79.8dB(A)
Vibration:	ah ≤ 2, 5m/s ²
Noise:	KpA: 1.5dB
Noise:	KwA: 1.5dB

Subject to technical change without notice.



EEC Statement of Compliance

Manufacturer/EEC importer: Vax Limited, hereby on our own responsibility, declare that the VCT-01 vacuum cleaner is manufactured in compliance with the following Directives:

Safety: 2006/42/EC Machinery Directive

EMC: 2014/30/EU

ECO: 2010/30/EU Labelling and standard product information directive

Disposal



Waste electrical products should not be disposed of with household waste. Please recycle where facilities exist. Check with your Local Authority or retailer for recycling advice.



Vax Ltd., 5th Floor 2 Colmore Square, 38 Colmore Circus, Queensway, Birmingham, B4 6BN, UK
email: info@vaxcommercial.co.uk website: vaxcommercial.co.uk